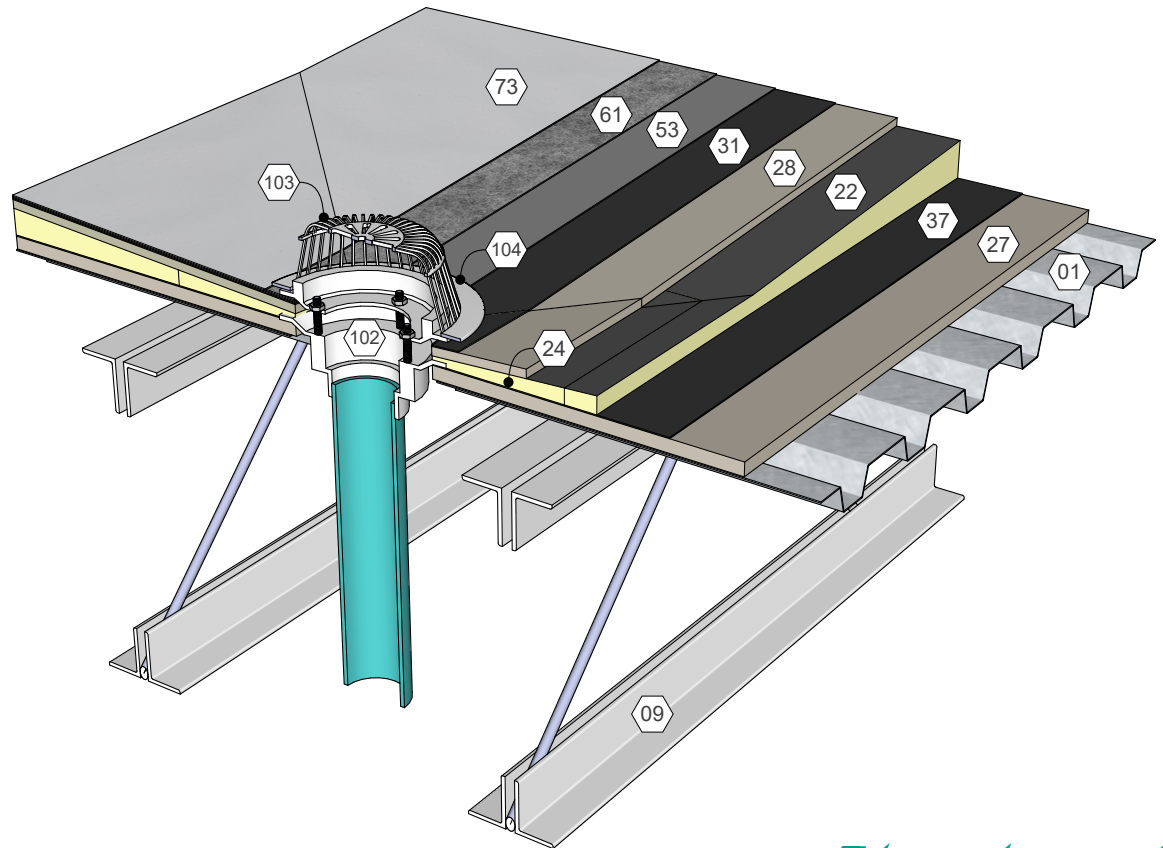
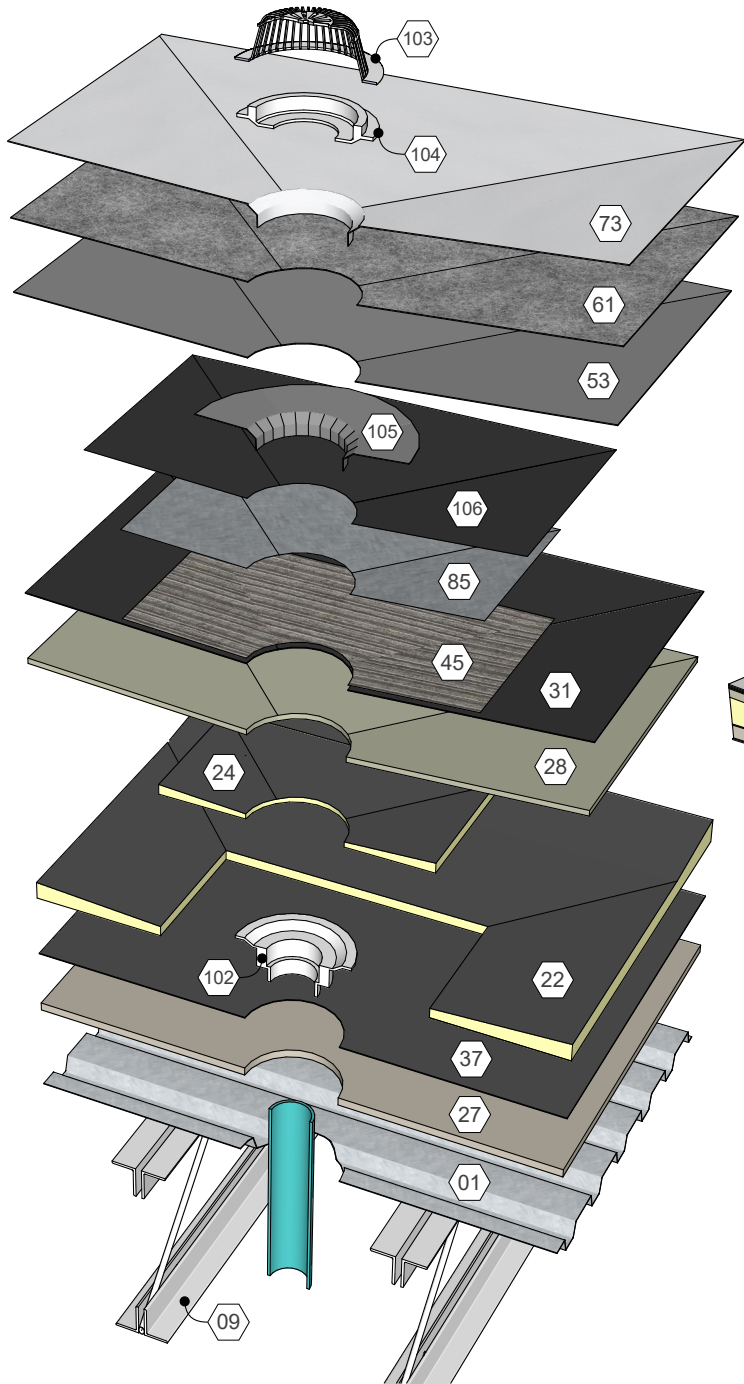


### KEY NOTES

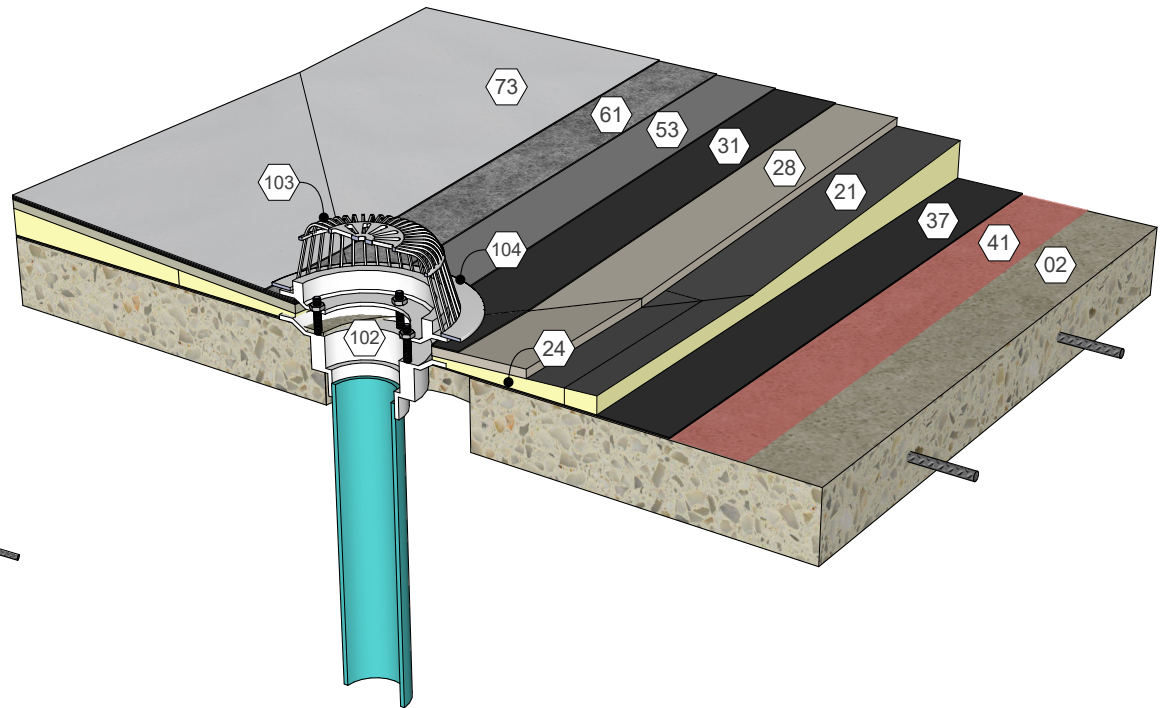
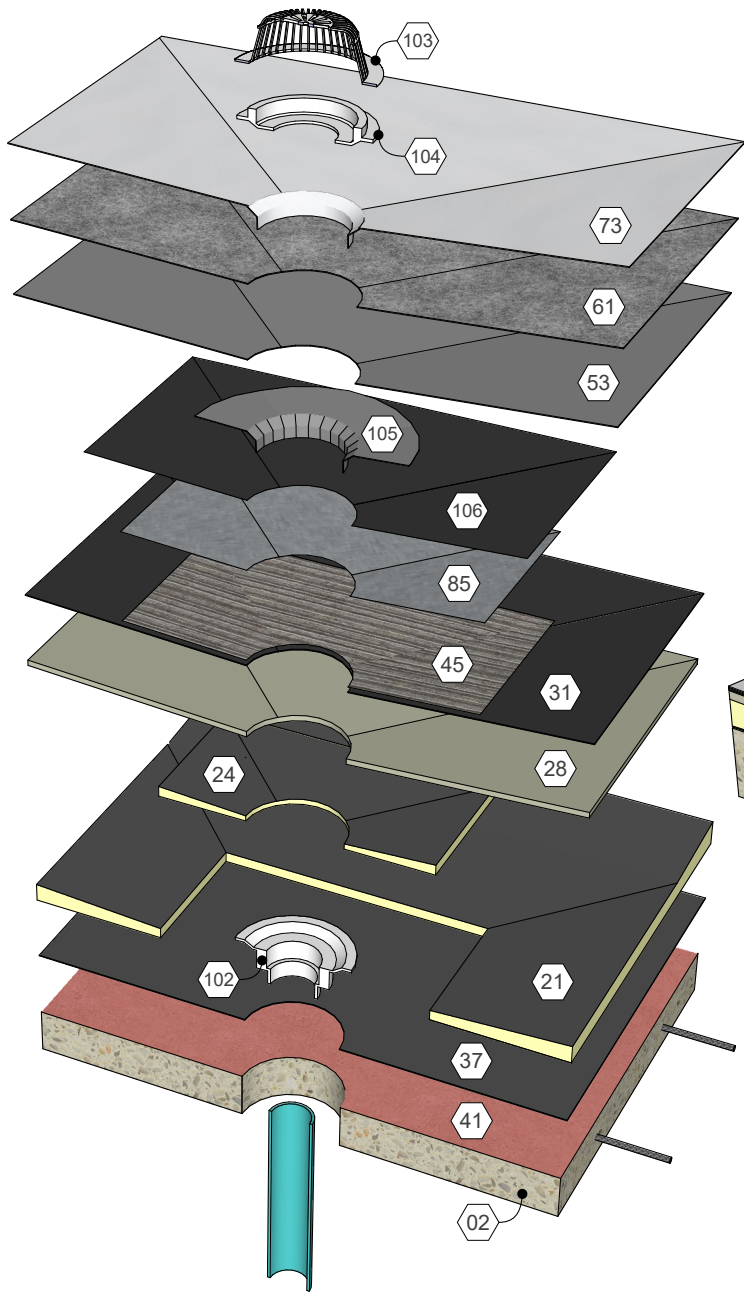
- |  |                                     |                             |
|--|-------------------------------------|-----------------------------|
| 01 Metal Deck  | 31 Approved Base Ply Sheet          | 85 Lead Flashing Sheet      |
| 09 Roof Structure                                    | 37 Approved Base Sheet (Adhered)    | 102 Drain Pan               |
| 22 Polyisocyanurate Insulation (Fastened or Adhered) | 45 Roofing Mastic                   | 103 Metal Drain Strainer    |
| 24 Tapered Insulation Sump                           | 53 AlphaGuard PUMA Base Coat        | 104 Clamping Ring           |
| 27 Substrate Board (Fastened)                        | 61 AlphaGuard Glass Mat or Permafab | 105 AlphaGuard Target Patch |
| 28 Cover Board (Adhered)                             | 73 AlphaGuard PUMA Top Coat         | 106 Stripping Ply           |



AlphaGuard® PUMA Plus Roof Drain, Temp. Roof, Metal Deck  
Detail 34221

### KEY NOTES

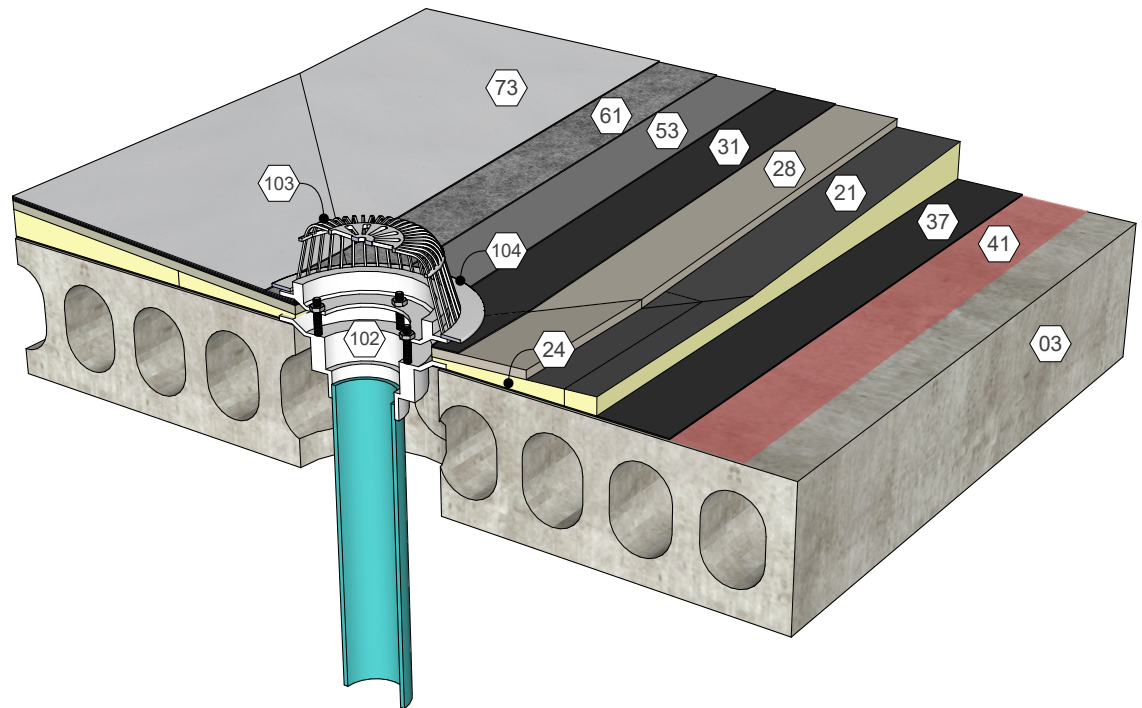
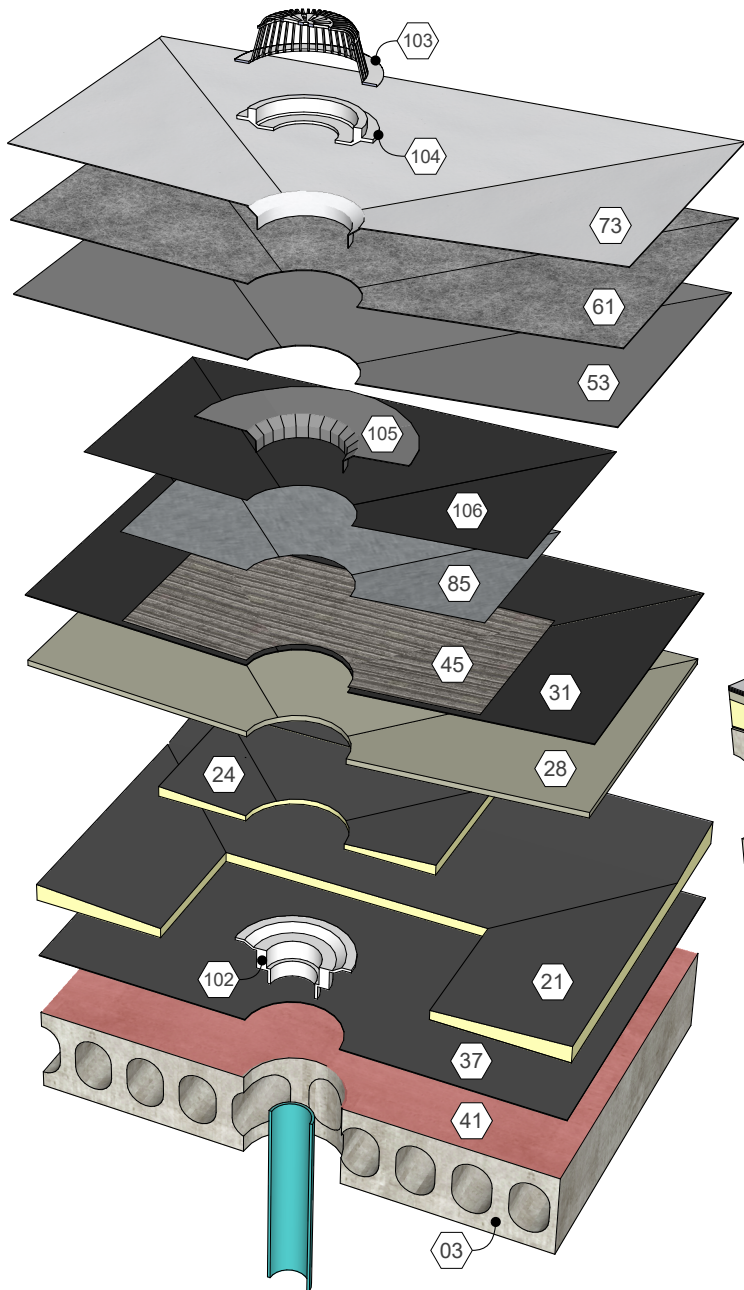
- |  |                                     |                             |
|--|-------------------------------------|-----------------------------|
| 02 Structural Concrete Deck              | 37 Approved Base Sheet (Adhered)    | 85 Lead Flashing Sheet      |
| 21 Polyisocyanurate Insulation (Adhered) | 41 Approved Primer                  | 102 Drain Pan               |
| 24 Tapered Insulation Sump               | 45 Roofing Mastic                   | 103 Metal Drain Strainer    |
| 28 Cover Board (Adhered)                 | 53 AlphaGuard PUMA Base Coat        | 104 Clamping Ring           |
| 31 Approved Base Ply Sheet               | 61 AlphaGuard Glass Mat or Permafab | 105 AlphaGuard Target Patch |
|  | 73 AlphaGuard PUMA Top Coat         | 106 Stripping Ply           |



AlphaGuard® PUMA Plus Roof Drain, Temp. Roof, Structural Concrete Deck  
Detail 34222

### KEY NOTES

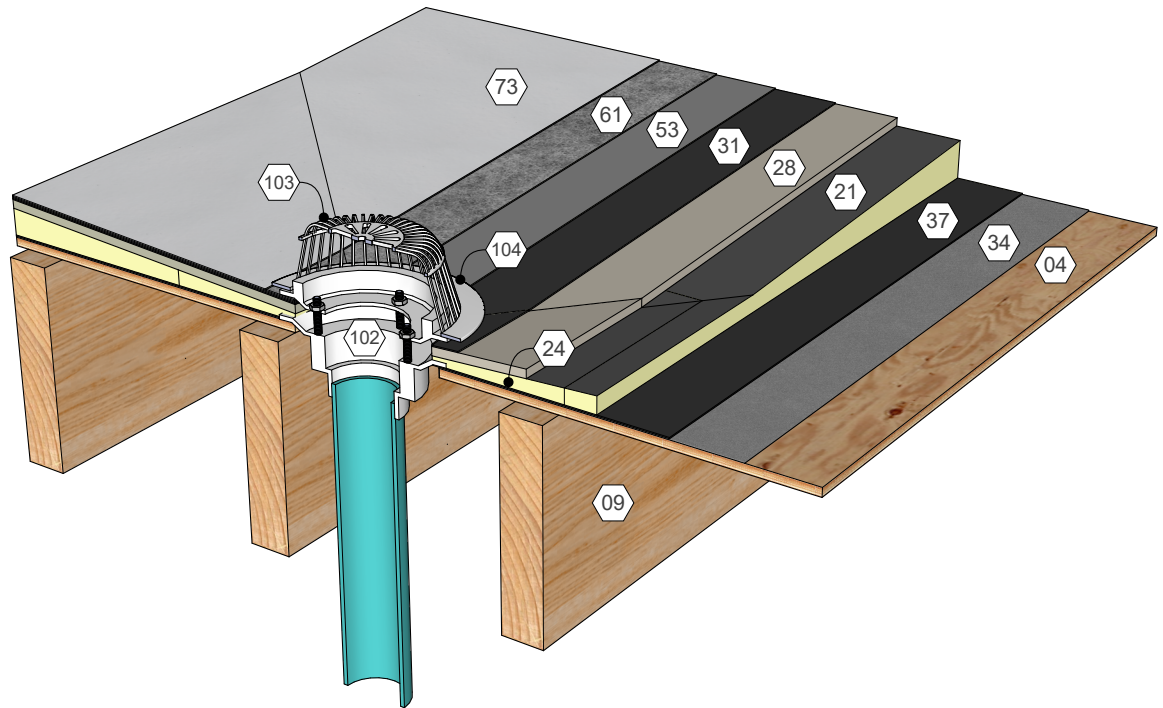
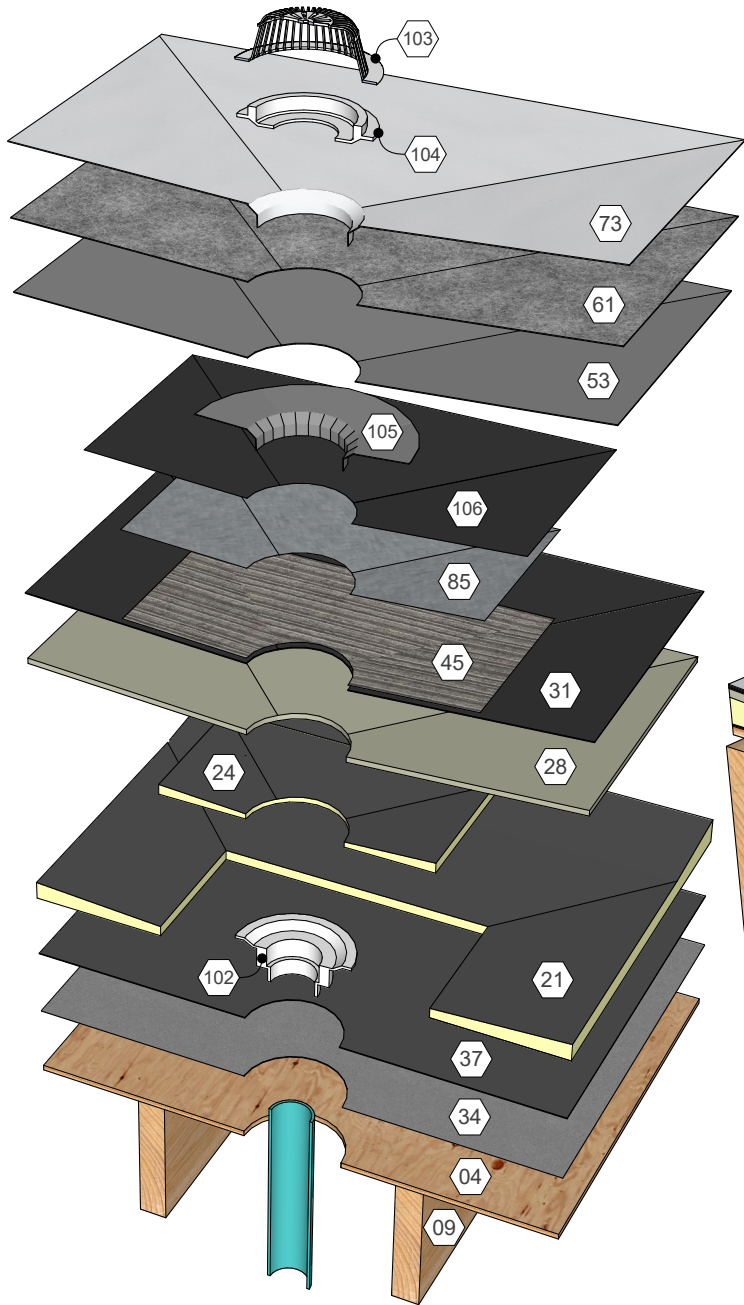
- |    |                                       |    |                                  |     |                         |
|----|---------------------------------------|----|----------------------------------|-----|-------------------------|
| 03 | Precast Concrete Deck                 | 37 | Approved Base Sheet (Adhered)    | 85  | Lead Flashing Sheet     |
| 21 | Polyisocyanurate Insulation (Adhered) | 41 | Approved Primer                  | 102 | Drain Pan               |
| 24 | Tapered Insulation Sump               | 45 | Roofing Mastic                   | 103 | Metal Drain Strainer    |
| 28 | Cover Board (Adhered)                 | 53 | AlphaGuard PUMA Base Coat        | 104 | Clamping Ring           |
| 31 | Approved Base Ply Sheet               | 61 | AlphaGuard Glass Mat or Permafab | 105 | AlphaGuard Target Patch |
|    |                                       | 73 | AlphaGuard PUMA Top Coat         | 106 | Stripping Ply           |



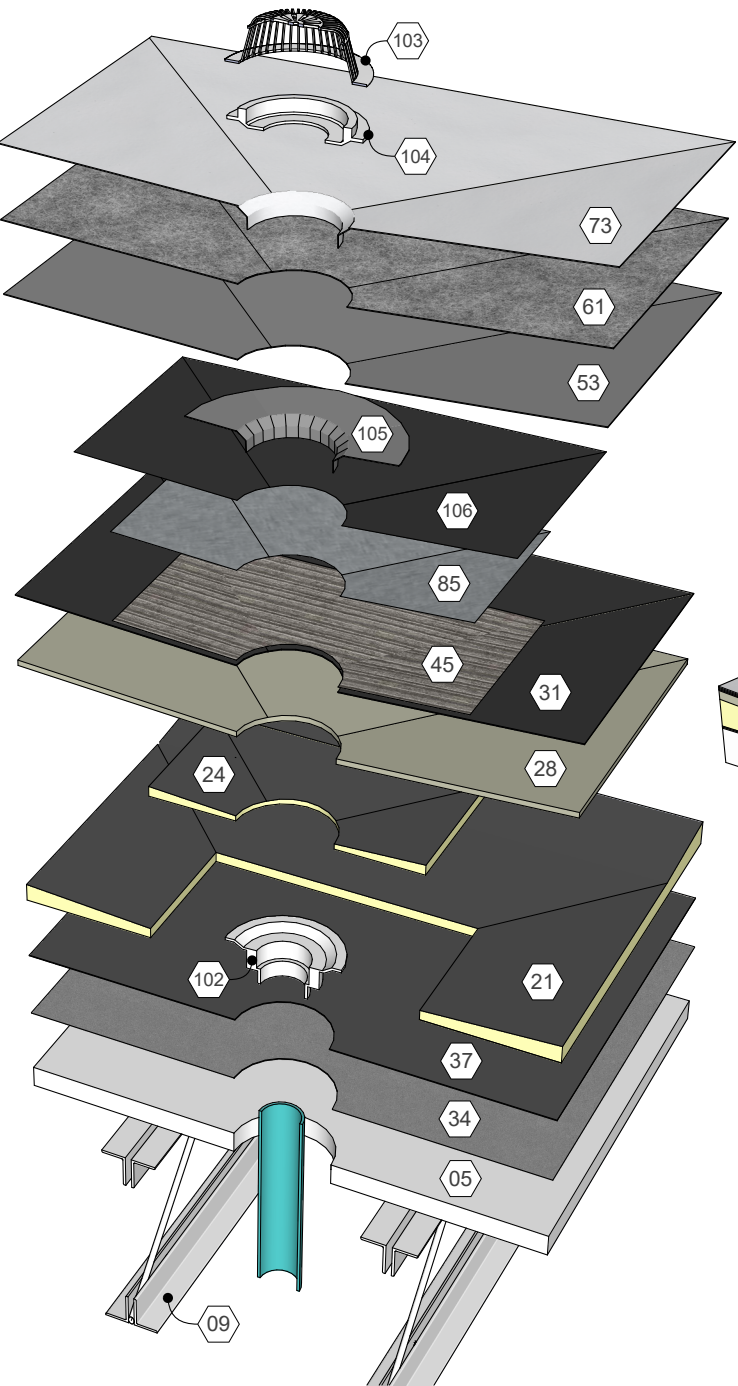
AlphaGuard® PUMA Plus Roof Drain, Temp. Roof, Precast Concrete Deck  
Detail 34223

### KEY NOTES

- |  |                                     |                             |
|--|-------------------------------------|-----------------------------|
| 04 Wood Deck                             | 37 Approved Base Sheet (Adhered)    | 85 Lead Flashing Sheet      |
| 09 Roof Structure                        | 34 Base Sheet (Fastened)            | 102 Drain Pan               |
| 21 Polyisocyanurate Insulation (Adhered) | 45 Roofing Mastic                   | 103 Metal Drain Strainer    |
| 24 Tapered Insulation Sump               | 53 AlphaGuard PUMA Base Coat        | 104 Clamping Ring           |
| 28 Cover Board (Adhered)                 | 61 AlphaGuard Glass Mat or Permafab | 105 AlphaGuard Target Patch |
| 31 Approved Base Ply Sheet               | 73 AlphaGuard PUMA Top Coat         | 106 Stripping Ply           |

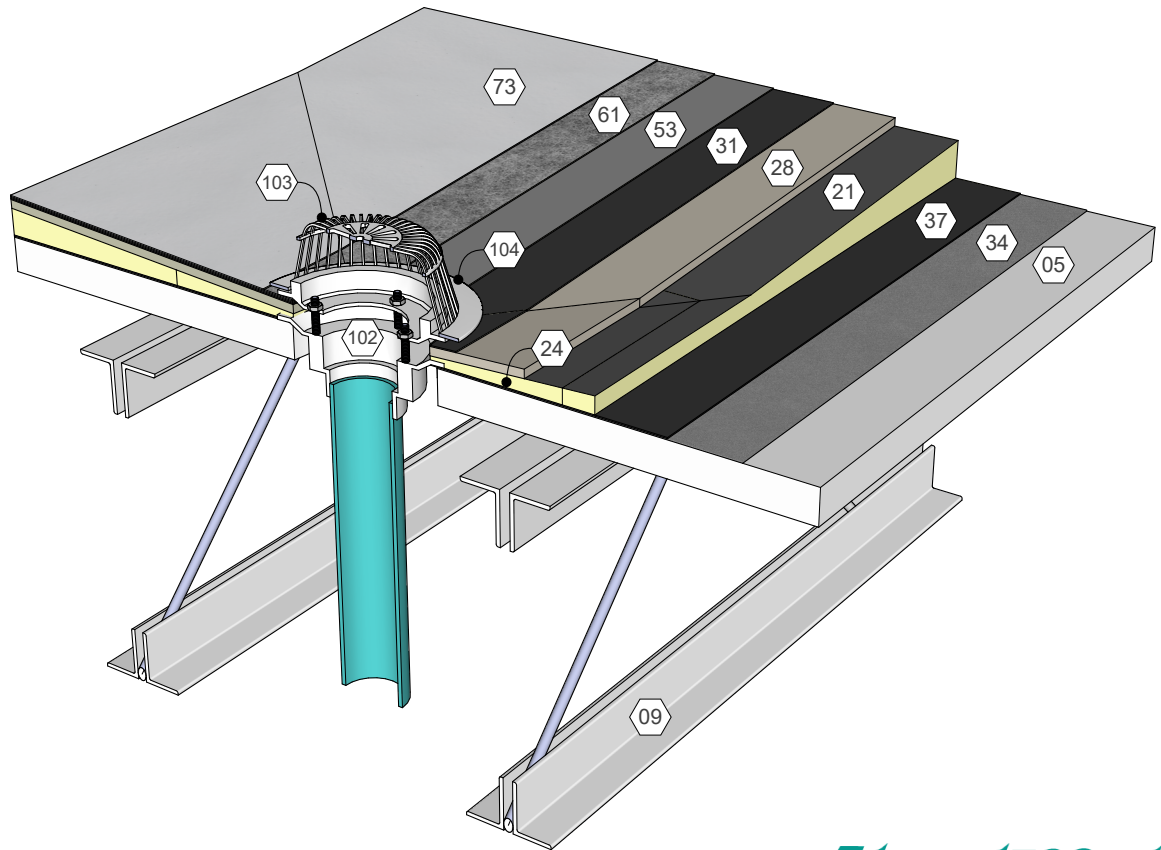


AlphaGuard® PUMA Plus Roof Drain, Temp. Roof, Wood Deck  
Detail 34224



### KEY NOTES

- |  |                                     |                             |
|--|-------------------------------------|-----------------------------|
| 05 Gypsum Deck                           | 37 Approved Base Sheet (Adhered)    | 85 Lead Flashing Sheet      |
| 09 Roof Structure                        | 34 Base Sheet (Fastened)            | 102 Drain Pan               |
| 21 Polyisocyanurate Insulation (Adhered) | 45 Roofing Mastic                   | 103 Metal Drain Strainer    |
| 24 Tapered Insulation Sump               | 53 AlphaGuard PUMA Base Coat        | 104 Clamping Ring           |
| 28 Cover Board (Adhered)                 | 61 AlphaGuard Glass Mat or Permafab | 105 AlphaGuard Target Patch |
| 31 Approved Base Ply Sheet               | 73 AlphaGuard PUMA Top Coat         | 106 Stripping Ply           |



AlphaGuard® PUMA Plus Roof Drain, Temp. Roof, Gypsum Deck  
Detail 34225